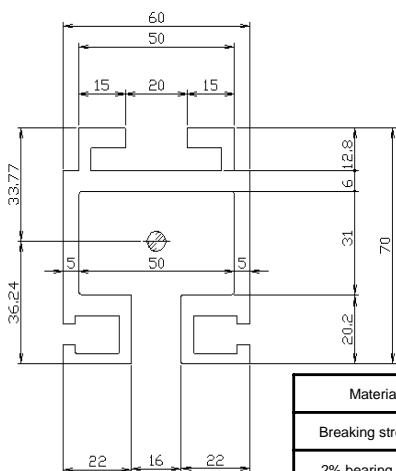


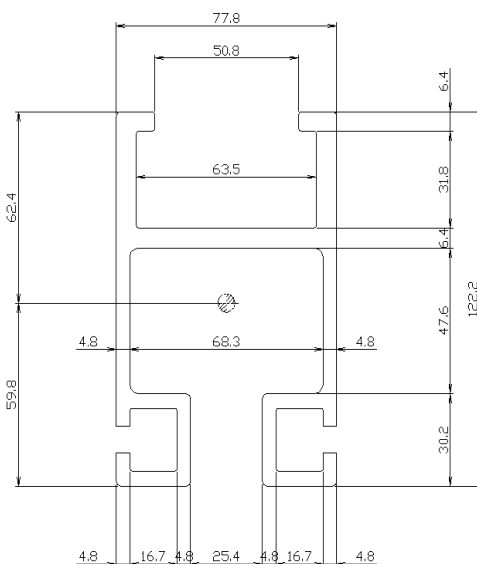
# Aluminum Rails

2 in. aluminum rail



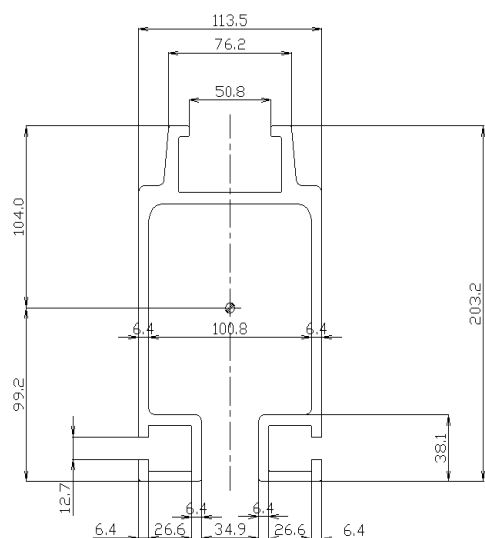
Material	A6N01-T5
Breaking strength	245N/mm-2
2% bearing force	205N/mm-2
Sectional Area	14.3cm <sup>2</sup>
2nd order moment	70cm <sup>-4</sup>
Section modulus	19.4cm <sup>3</sup>
Unit Weight	3.86kg/m

4 in. aluminum rail



Material	A6005A-T5
Breaking strength	250N/mm-2
2% bearing force	200N/mm-2
Sectional Area	23.9cm <sup>2</sup>
2nd order moment	340cm <sup>-4</sup>
Section modulus	54.5cm <sup>3</sup>
Unit Weight	6.44kg/m

8 in. aluminum rail



**How to order:**

- 2 in. rail: TR2000A050 ... (5 m length)
- 4 in. rail: RAD4110A060 ... (6 m length)
- 8 in. rail: RAD7510A052 ... (5.2 m length)

Material	A6005A-T5
Breaking strength	250N/mm-2
2% bearing force	250N/mm-2
Sectional Area	45.4cm <sup>2</sup>
2nd order moment	2001cm <sup>-4</sup>
Section modulus	192.4cm <sup>3</sup>
Unit Weight	12.26kg/m

Span	TR2000 (Kg)		RAD4110 (Kg)		RAD7510 (Kg)	
	Max capacity	Recomm ended cap.	Max capacity	Recomm ended cap.	Max capacity	Recomm ended cap.
1m	500	200	1200	800	2500	1000
2m	125	100	600	500	2000	1000
3m	55	45	274	250	1600	1000
4m	30	25	153	140	895	740
5m	20	16	98	90	575	470
6m	14	11	68	60	400	330

# Components

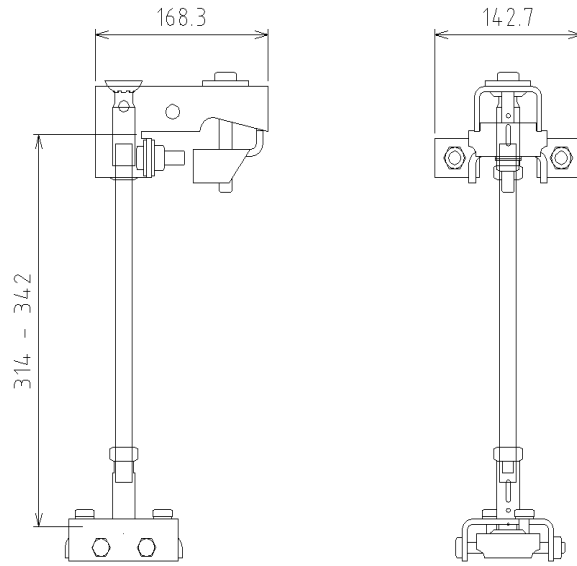
## Rail Hangers

**MRHS4034**

C-channel Rod & Ball Load Hanger



Unit weight: 3.2Kg

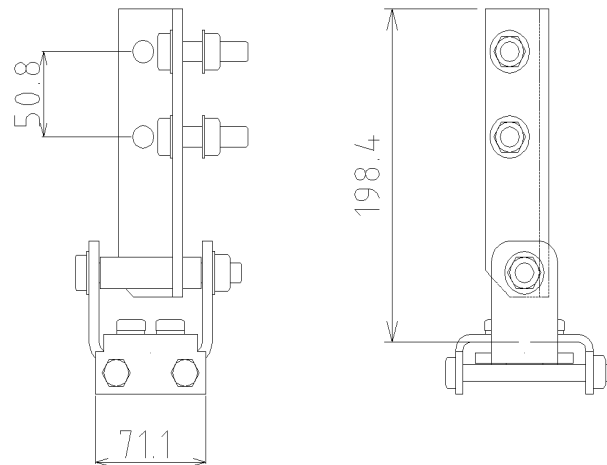


**MRHS4035**

C-channel Bolt-on Load Hanger



Unit weight: 1.7Kg



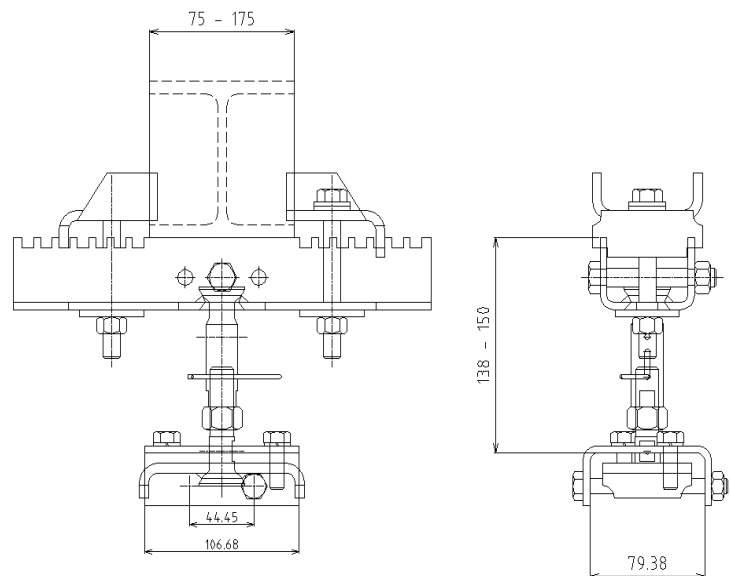
**MRHS40361**

I-Beam Short stack rod and Ball Load Hanger for Direct Loads



Flange Size: 51-178mm

Unit weight : 4.0Kg



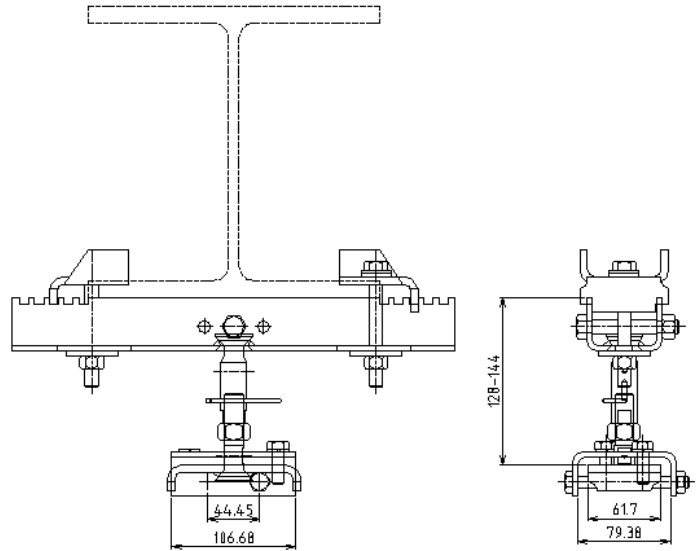
**MRHS4031**

I-Beam Short stack rod and Ball Load Hanfer for Direct Loads



Flange Size : 178-279mm

Unit weight : 4.6Kg



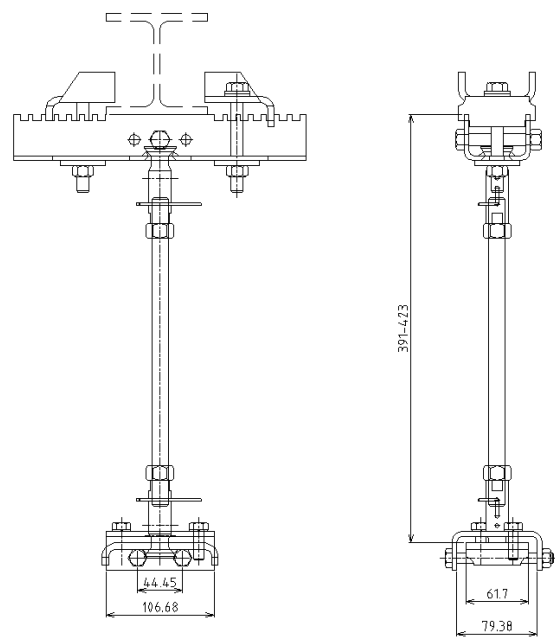
**MRHS4071**

I-Beam Extended Stack Rod and Ball Load Hangers for Direct Loads



Flange Size : 51-178mm

Unit weight : 4.5Kg



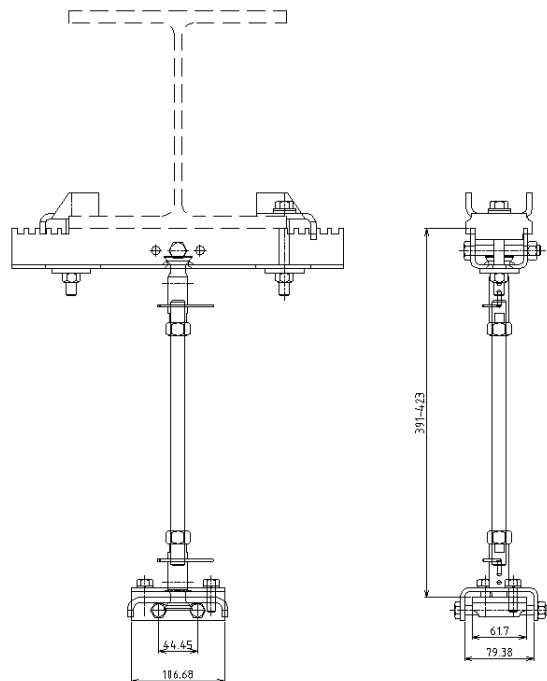
**MRHS40511**

I-Beam Extended Stack Rod and Ball Load Hangers for Direct Loads



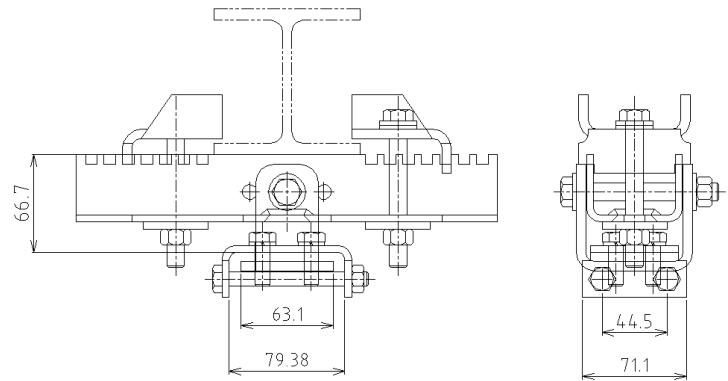
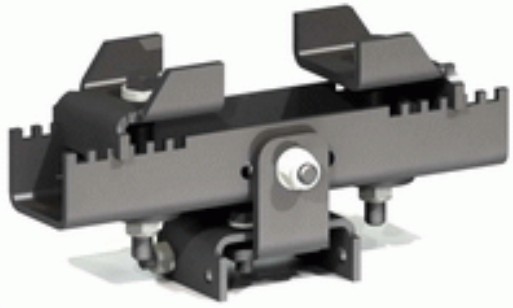
Flange Size : 51-178mm

Unit weight : 5.0Kg



**MRHS40821**

I-Beam Short Stack Load Hangers for Direct or Offset Loads

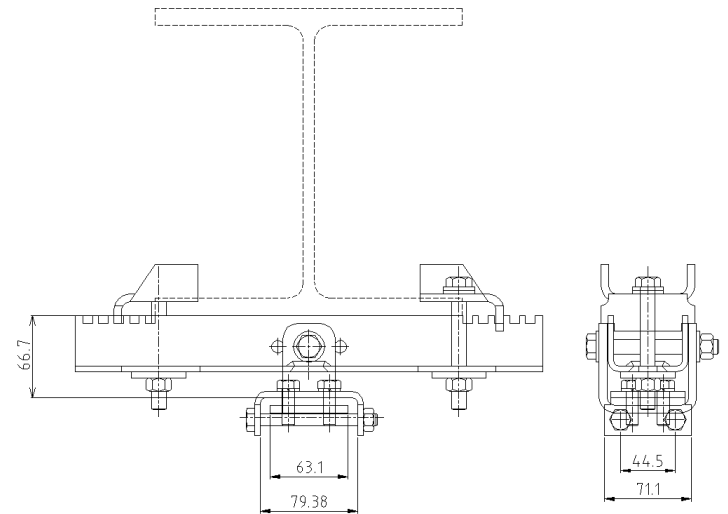
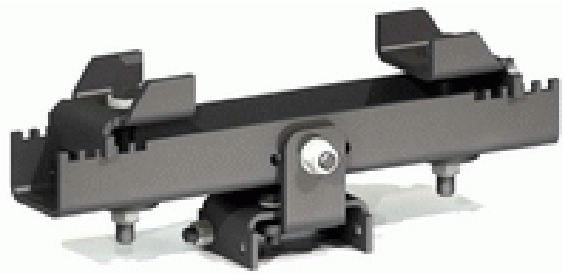


Flange Size: 51-178mm

Unit weight: 3.6Kg

**MRHS40861**

I-Beam Short Stack Load Hangers for Direct or Offset Loads

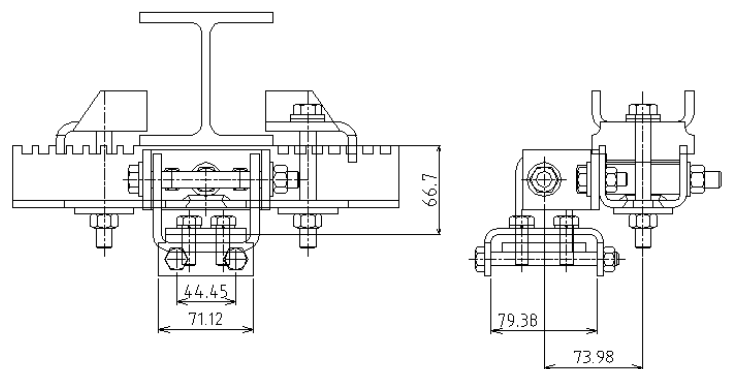
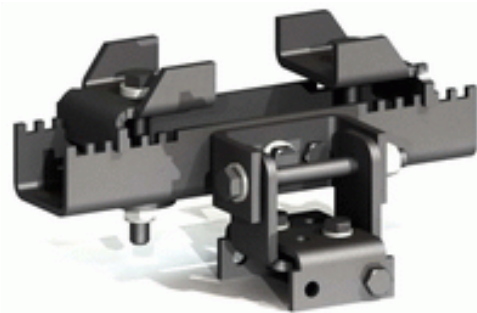


Flange Size: 178-279mm

Unit weight: 4.1Kg

**MRHS40761**

I-Beam Short Stack Load Hangers for Direct or Offset Loads

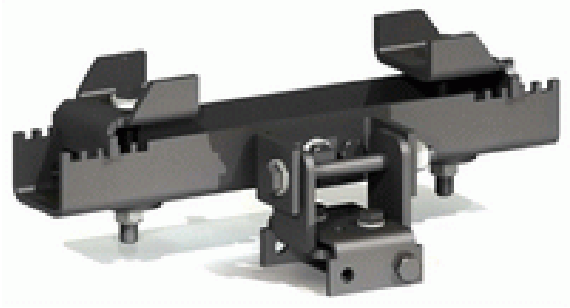


Flange Size: 51-178mm

Unit weight: 4.2Kg

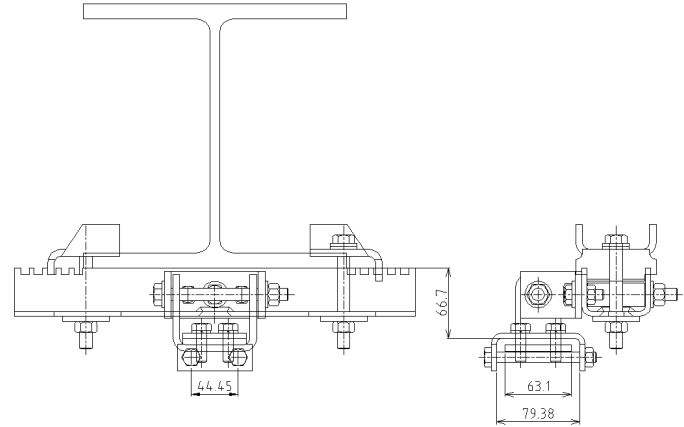
**MRHS40991**

I-Beam Short Stack Load Hangers for Direct or Offset Loads



Flange Size : 178-279mm

Unit weight : 4.8Kg



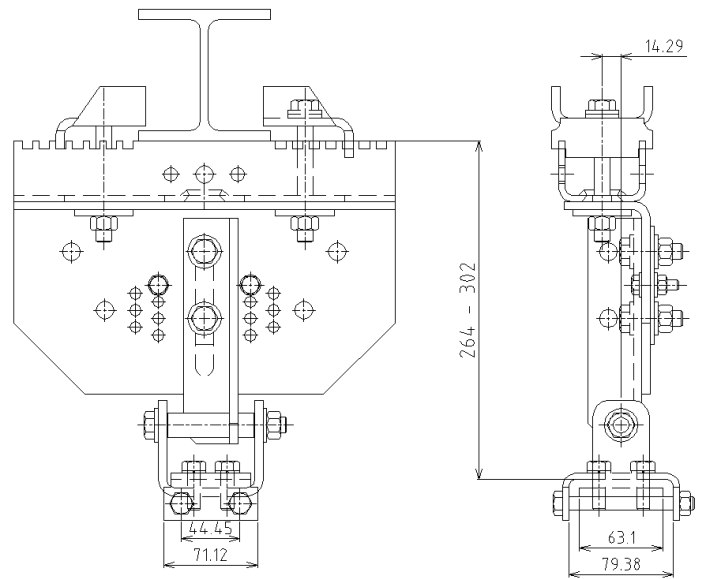
**MRHS40381**

I-Beam Load Hangers for Offset Loads



Flange Size : 51-178mm

Unit weight : 7.3Kg



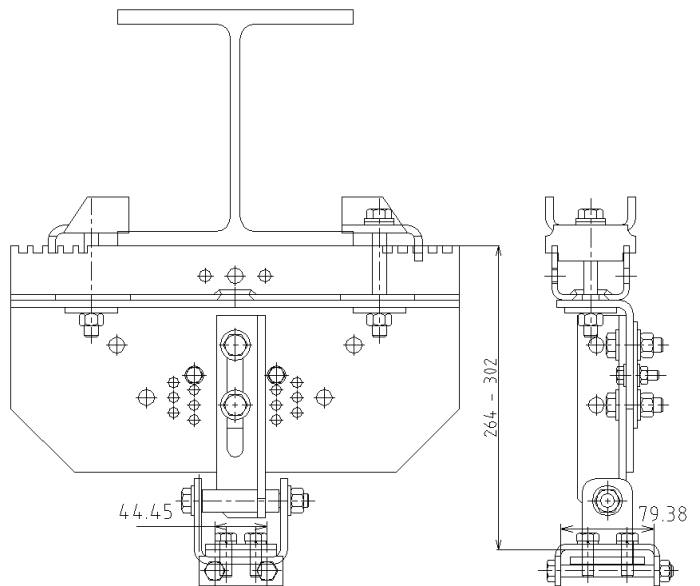
**MRHS42181**

I-Beam Load Hangers for Offset Loads



Flange Size : 178-279mm

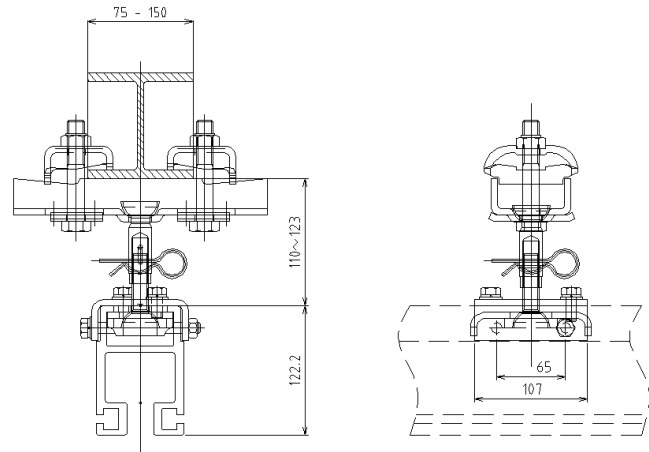
Unit weight : 8.7Kg



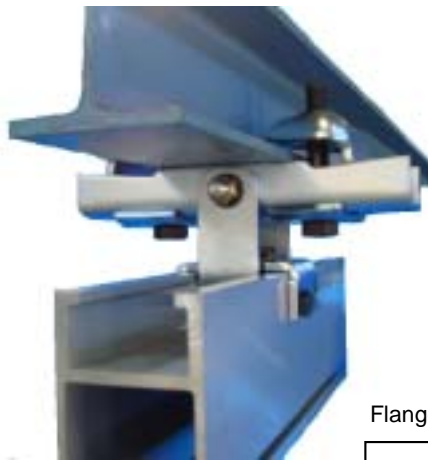
**TRH4036****I-Beam Short Stack Rod and Ball Load Hangers**

Flange Size : 75-150mm

Unit weight : 4.0Kg

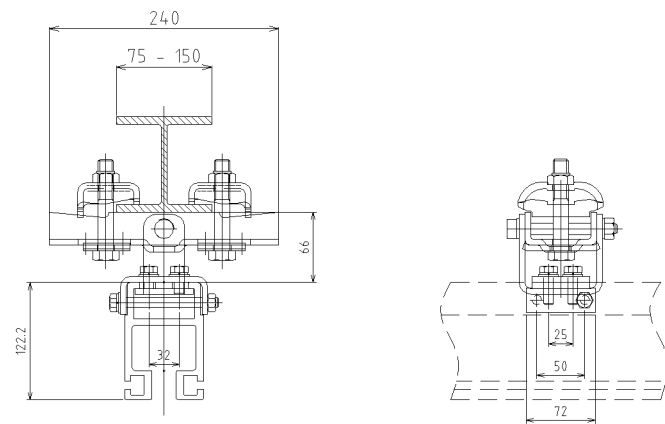


Capacity : 490 kg

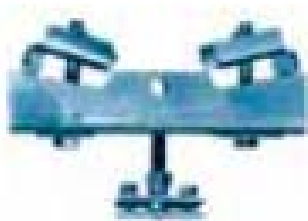
**TRH4082****I-Beam Short Stack Load Hangers for Direct or Offset Loads**

Flange Size : 75-150mm

Unit weight : 3.8Kg



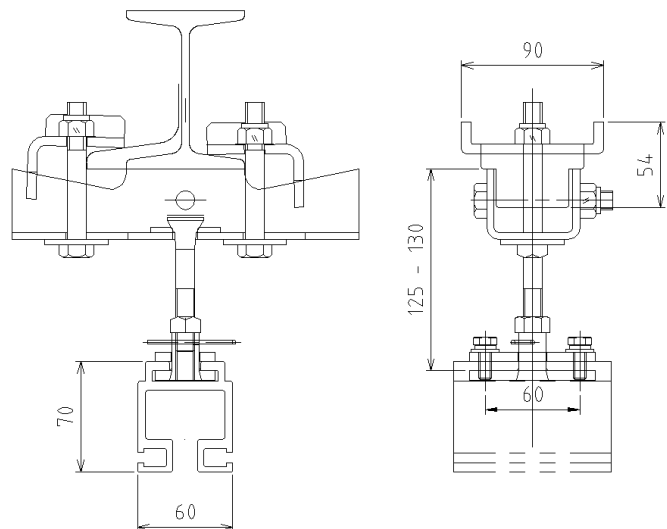
Capacity : 490 kg

**TRH2036****I-Beam Short Stack Rod and Ball Load Hangers**

For 2 int. rail

Flange Size : 75-125mm

Unit weight : 3Kg



耐荷重 : 200 kg

メッキ仕上げ