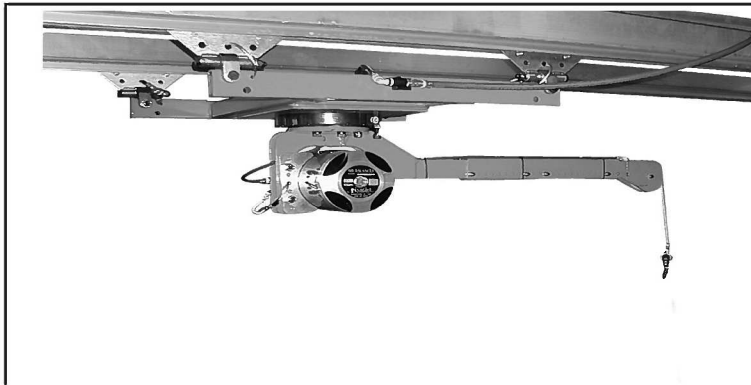


Arms

Banjo Arms

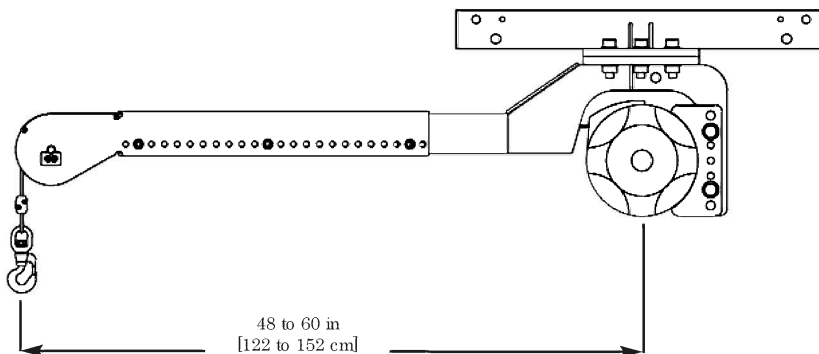


Banjo Arms offer versatility by enabling the operator to extend beyond the working limits of a rail system. Air balancer mounted on the banjo arm lifts and lowers the load.

Model	Description	Capacity lbs [kg]	Reach in [cm]
JDA1000028	Dual Bridge Banjo Arm	100 [45]	48 to 60 [122 to 152]
JDA1000076	Dual Bridge Banjo Arm	150 [68]	48 to 60 [122 to 152]
JDA2000073	Dual Bridge Banjo Arm	225 [102]	48 to 60 [122 to 152]
JDA3000073	Dual Bridge Banjo Arm	350 [158]	48 to 60 [122 to 152]
JDA3000117	Dual Bridge Banjo Arm	225 [102]	48 to 60 [122 to 152]
JDA5000080	Dual Bridge Banjo Arm	500 [226]	48 to 60 [122 to 152]

Dual Bridge Options:
Friction Brake
Clutch Brake

Capacity rated at 100 psi air supply



Adjustable in 1 in [2.5 cm] increments

Model	Description	Capacity lbs [kg]	Reach in [cm]
JSA1000076	Single Bridge Banjo Arm	150 [68]	48 to 60 [122 to 152]
JSA2000073	Single Bridge Banjo Arm	225 [102]	48 to 60 [122 to 152]
JSA3000073	Single Bridge Banjo Arm	350 [158]	48 to 60 [122 to 152]
JSA3000117	Single Bridge Banjo Arm	225 [102]	48 to 60 [122 to 152]

Single Bridge Options:
Friction Brake
Clutch Brake
Friction Limiter

Capacity rated at 100 psi air supply