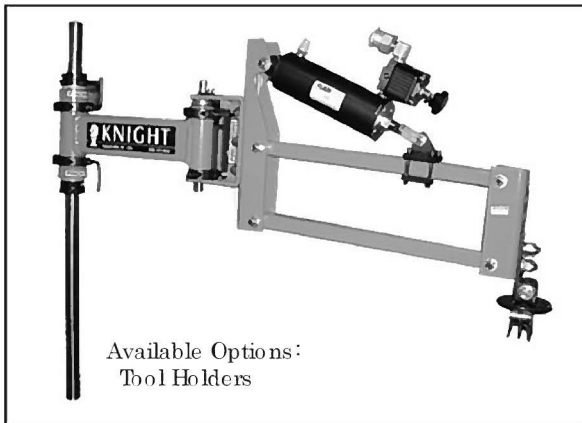
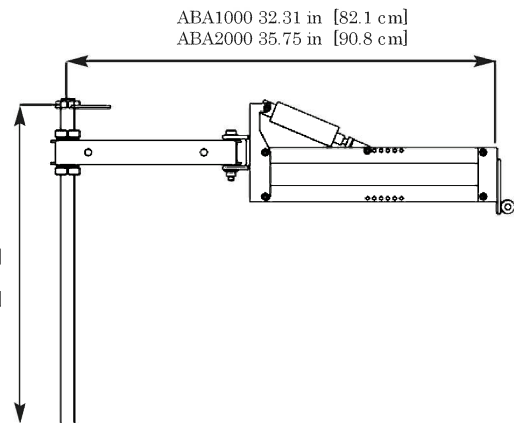


Arms

Bench Mounted Arm



Available Options:
Tool Holders



Model	Description	Balance Capacity lbs [kg]	Travel in [cm]
ABA1000-1	Top Mounted Light Duty Bench Arm	15 [7.0]	11.5 [29.2]
ABA1000-2	Side Mounted Light Duty Bench Arm	15 [7.0]	
ABA2000-1	Top Medium Duty Bench Mounted Arm	25 [11.0]	13.0 [33.0]
ABA2000-2	Side Medium Duty Bench Mounted Arm	25 [11.0]	

Capacity rated at 100 psi air supply.

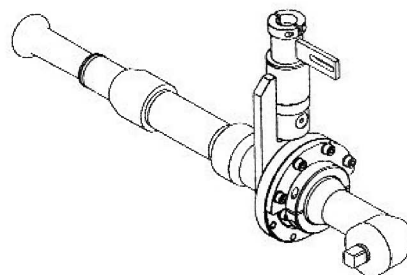
Bench Arms work well on small parts assembly applications. Includes a standard tool holder ASA9500.

Tool Holders



Model	Description	Fits Tool Sizes in [cm]	Maximum Torque ft/lbs [Nm]
ASA9500	Adjustable Small Clamp Style Tool Holder	1.3 - 1.5 [3.3 - 3.8]	100 [136]
ASA9501	Adjustable Large Clamp Style Tool Holder	1.75 - 2.25 [4.5 - 5.7]	100 [136]

Adjustment screws allow the user to resize this clamp style tool holder to accommodate a wide variety of tool diameters. Fix mounted style tool holder. Does not rotate.



Custom designed rotate tool holders are available.