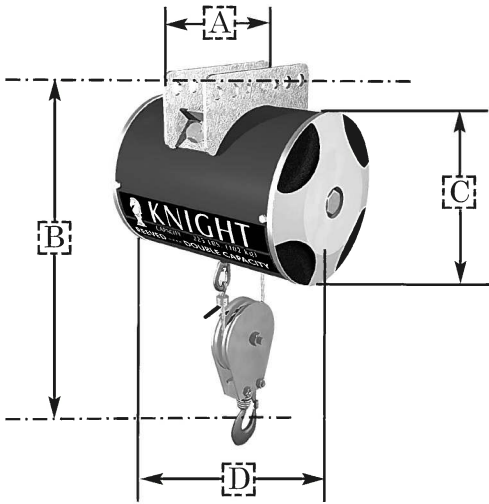


Balancers

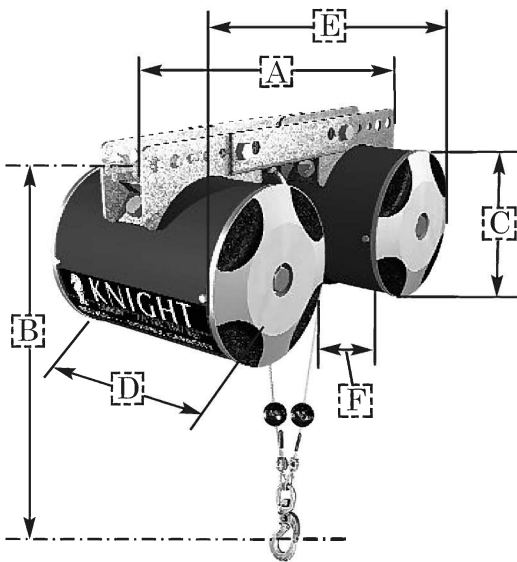
Reeved



Model Number	Balance Capacity lbs [kg]	Stroke in [cm]	Unit Weight lbs [kg]	A Dim in [cm]	B Dim (mm) in [cm]	C Dim in [cm]	D Dim in [cm]
RKBA450-036	450 [203]	36 [91]	66 [30]	8.5 [22]	19 [48]	8.75 [22]	16.75 [43]
RKBA450-055	450 [203]	55 [148]	92 [42]	9.75 [27]	19 [48]	10.75 [27]	16.25 [43]
RKBA700-036	700 [315]	36 [91]	78 [35]	9.75 [27]	21 [53]	10.75 [27]	16.25 [43]
RKBA1000-040	1000 [454]	40 [102]	117 [53]	9.75 [27]	21 [53]	10.75 [27]	21.81 [55]
RKBA1400-027	1400 [630]	27 [69]	95 [43]	9.75 [27]	21 [53]	10.75 [27]	21.81 [55]
RKBC400-055	400 [180]	55 [153]	98 [44]	9.75 [27]	21 [53]	10.75 [27]	16.25 [42]
RKBC450-033	450 [203]	33 [84]	69 [31]	8.5 [22]	19 [48]	8.75 [22]	16.75 [43]
RKBC700-033	700 [315]	33 [84]	79 [36]	9.75 [27]	21 [53]	10.75 [27]	16.25 [42]
RKBC1000-040	1000 [450]	40 [102]	121 [55]	9.75 [27]	21 [53]	10.75 [27]	21.81 [55]
RKBC1400-026	1400 [630]	26 [66]	100 [45]	9.75 [27]	21 [53]	10.75 [27]	21.81 [55]

Capacity rated at 100 PSI air supply

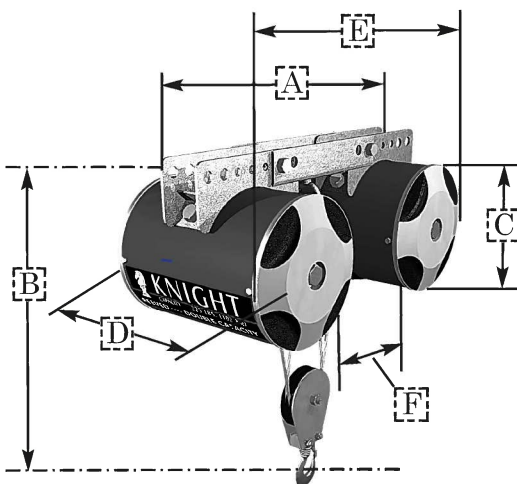
Tandem



Model Number	Balance Capacity lbs [kg]	Stroke in [cm]	Unit Weight lbs [kg]	A Dim in [cm]	B Dim (min) in [cm]	C Dim in [cm]	D Dim in [cm]	E Dim in [cm]	F Dim in [cm]
TKBA700-073	700 [315]	73 [185]	155 [67]	24 [61]	18.75 [48]	10.75 [27]	16.25 [41]	24.75 [63]	3.25 [8]
TKBA1000-080	1000 [450]	80 [203]	230 [104]	24 [61]	18.75 [48]	10.75 [27]	21.81 [55]	24.75 [63]	3.25 [8]
TKBA1400-054	1400 [630]	54 [137]	186 [84]	24 [61]	18.75 [48]	10.75 [27]	21.81 [55]	24.75 [63]	3.25 [8]
TKBC700-067	700 [315]	67 [170]	162 [73]	24 [61]	18.75 [48]	10.75 [27]	16.25 [41]	24.75 [63]	3.25 [8]
TKBC1000-080	1000 [450]	80 [203]	236 [107]	24 [61]	18.75 [48]	10.75 [27]	21.81 [55]	24.75 [63]	3.25 [8]
TKBC1400-052	1400 [630]	52 [132]	196 [89]	24 [61]	18.75 [48]	10.75 [27]	21.81 [55]	24.75 [63]	3.25 [8]

Capacity rated at 100 PSI air supply

Tandem Reeved



Model Number	Balance Capacity lbs [kg]	Stroke in [cm]	Unit Weight lbs [kg]	A Dim in [cm]	B Dim (min) in [cm]	C Dim in [cm]	D Dim in [cm]	E Dim in [cm]	F Dim in [cm]
TRKBA2000-040	2000 [900]	36 [91]	235 [107]	24 [61]	18.75 [48]	10.75 [27]	21.81 [55]	24.75 [63]	3.25 [8]
TRKBA2800-026	2800 [1260]	40 [102]	190 [86]	24 [61]	18.75 [48]	10.75 [27]	21.81 [55]	24.75 [63]	3.25 [8]

Capacity rated at 100 PSI air supply